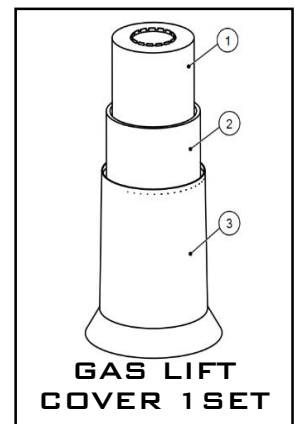
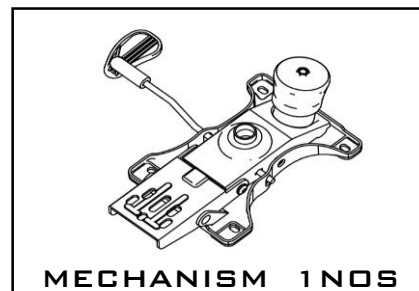
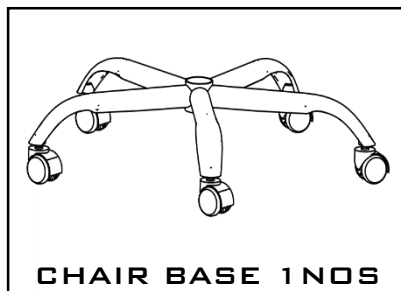
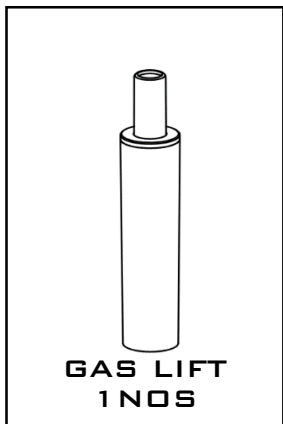
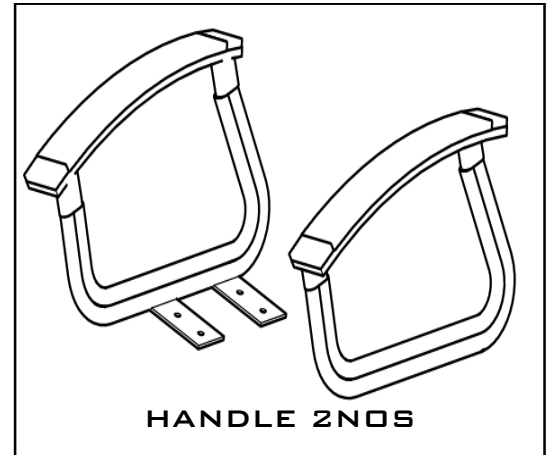
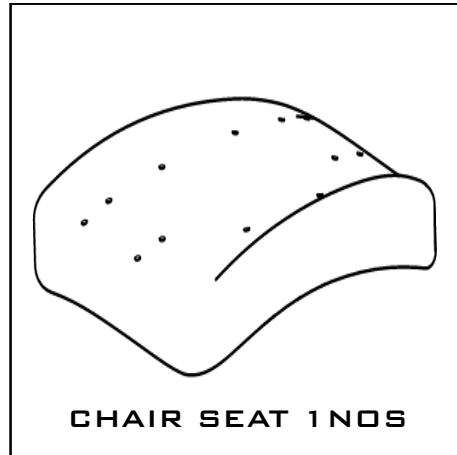
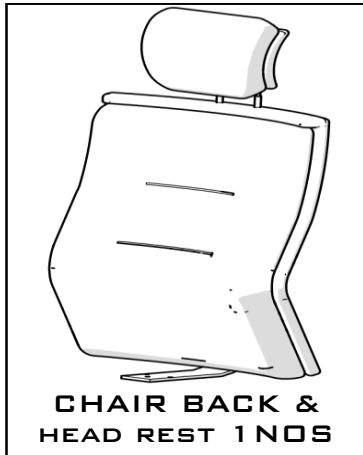


Please take time to read and follow the instruction below.

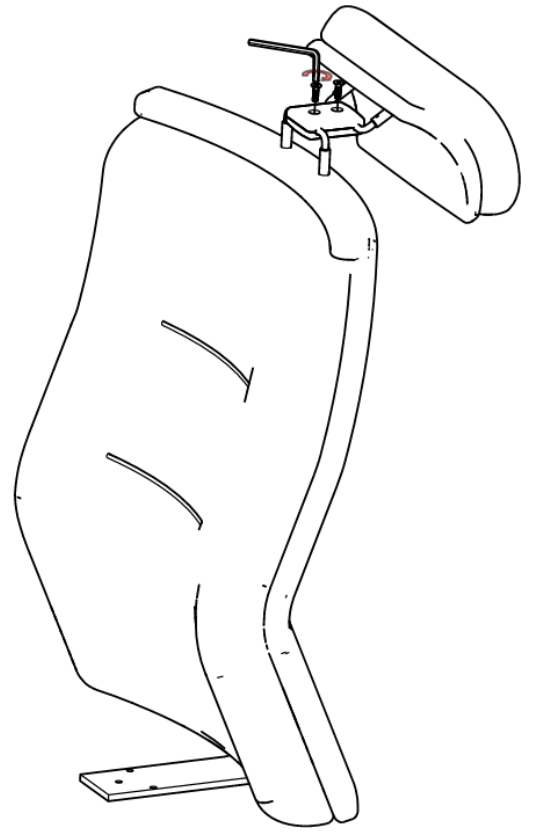


### Attention:

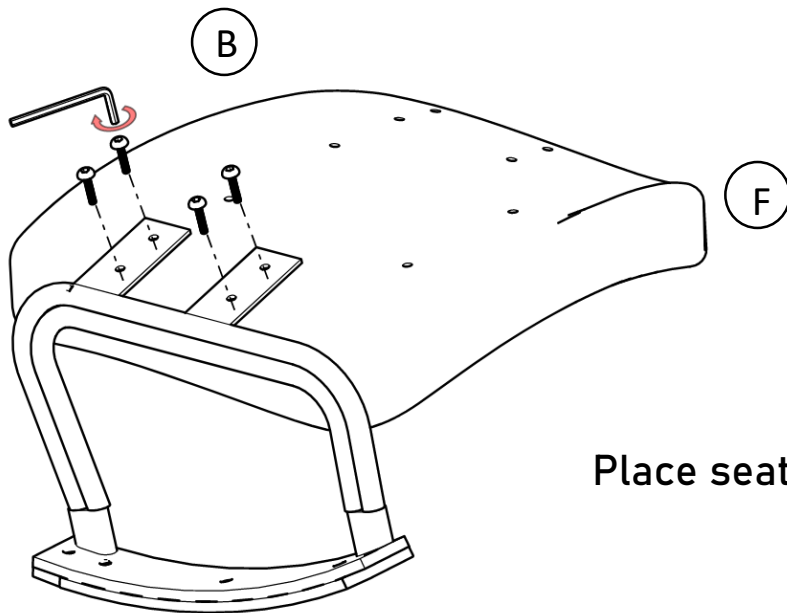
- Check that you have all parts and hardware before assembly.
- Parts apparently missing are often found in the packaging material.
- Hardware are already fitted into component.
- Use sticker as a reference for easy assembly.
- Do not tighten screw fully until you have completed assembly.
- Do not use this product unless all bolts are firmly secured.
- Check that all bolts and screws are securely tightened at least every 4 months.

For High Back Chair

Fix the Head rest with chair back as shown in image.



Step 1



Match the sticker before fitting

Place seat as shown in image than fit Handle

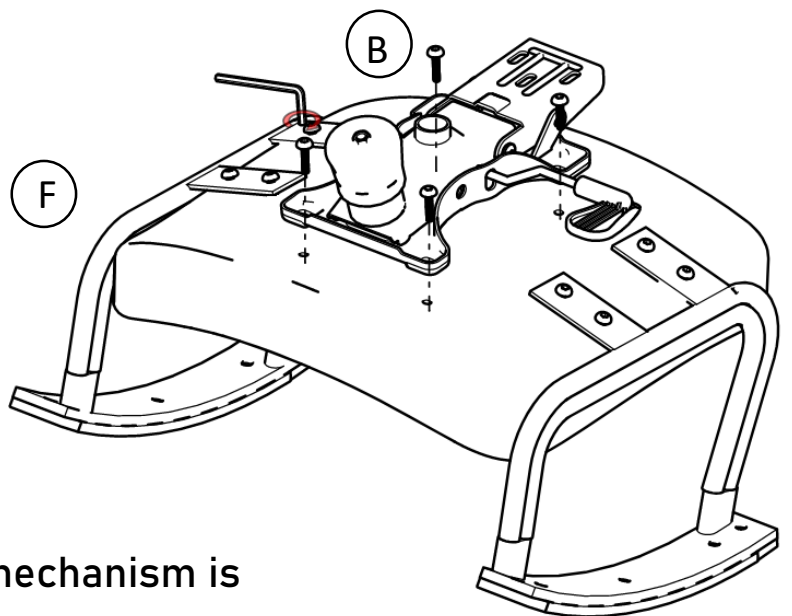
Repeat step 1 for fitting other side of handle

## Step 2

Place the seat as shown in image

Put mechanism on it same as in image than fit it.

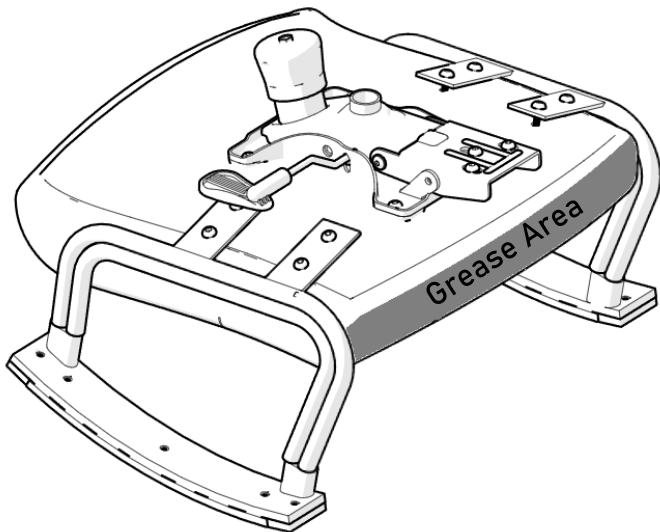
Make sure direction of arrow on mechanism is toward the seat front.



### Step 3

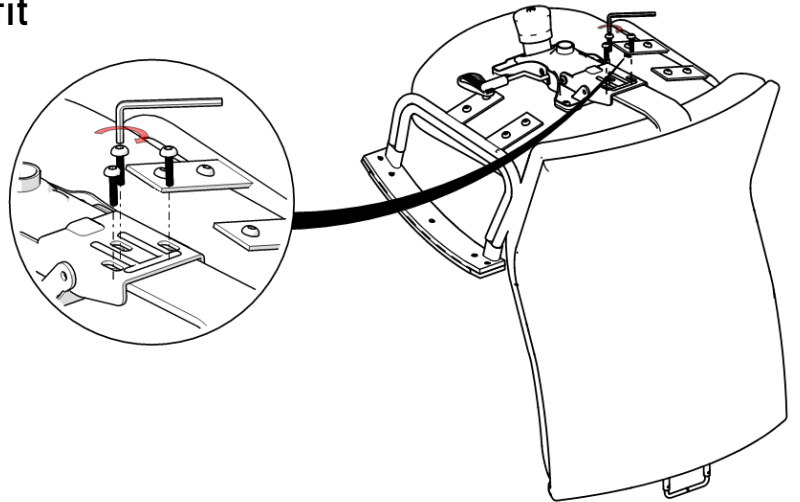
Apply grease sponge on back side of the seat at shaded area as shown in image.

(Note: Don't forgot the step before fit a chair back)



### Step 4

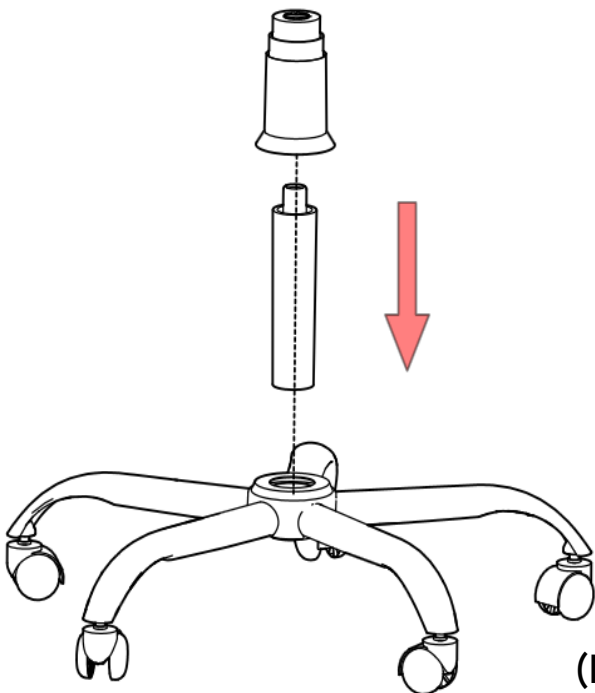
Fix the chair back with the mechanism as shown in image



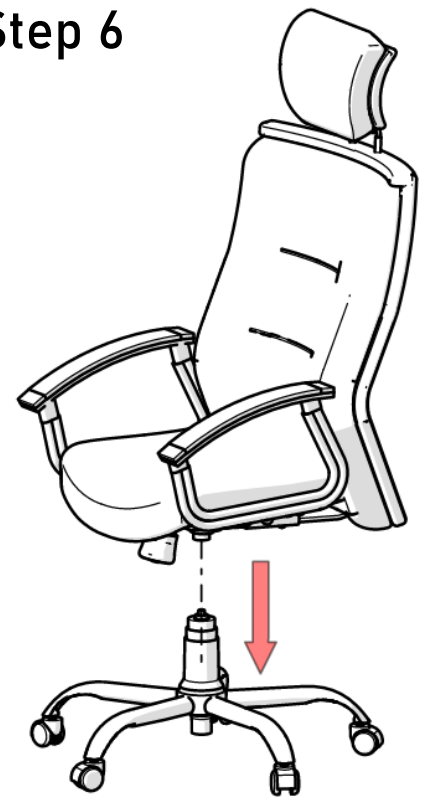
### Step 5

Place the chair base on floor

Cover the gas lift with the gas lift cover and fix it to the chair base



### Step 6



Attach the seat and back assembly of chair to the base assembly

(Note: Check the chair to ensure proper fixing)



# ASSEMBLY MANUAL



Contact us: +91-9904304466  
10:00 AM to 5:30 PM (Monday-Friday)  
[shop.hofindia.com](http://shop.hofindia.com)

Model: Z-407