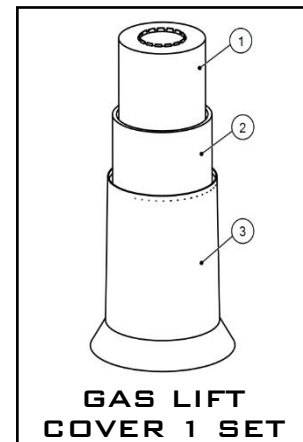
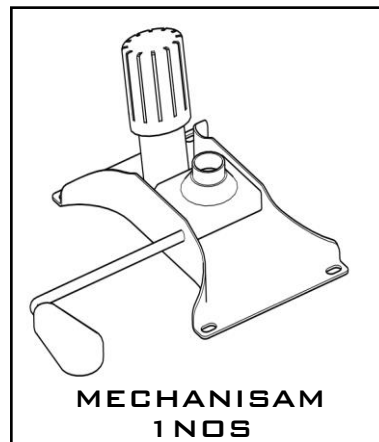
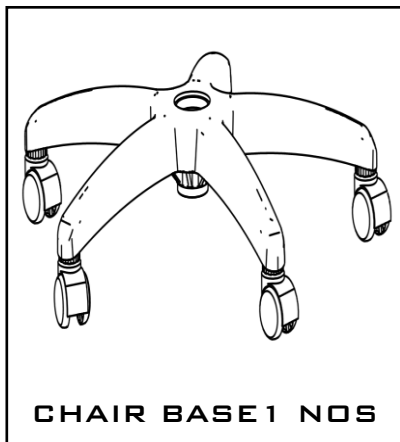
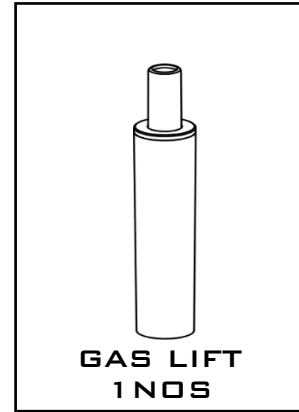
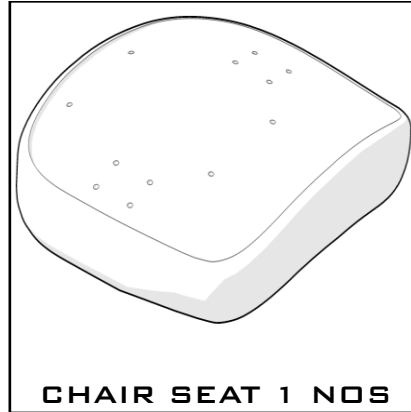
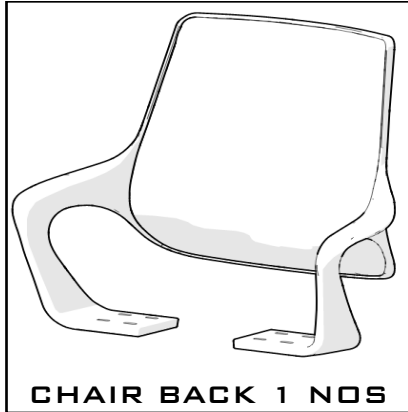


Please take time to read and follow the instruction below.

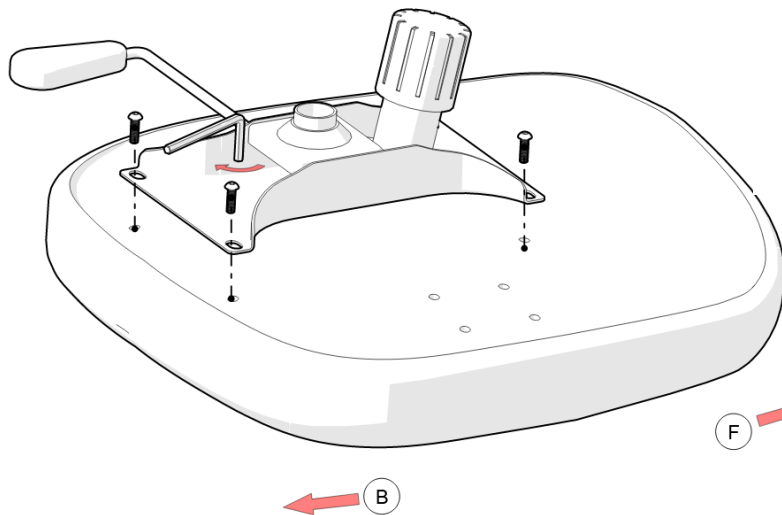


Attention:

Hardware are already fitted into component

- Find the Allen key in the bag of Assembly manual.
- Parts apparently missing are often found in the packaging material.
- Use sticker as a reference for easy assembly.
- Do not tighten screw fully until you have completed assembly.
- Do not use this product unless all bolts are firmly secured.
- Check that all bolts and screws are securely tightened at least every 4 months.

Step 1



Place seat as shown in image

Put mechanism on Seat as Shown
in image than fit it.

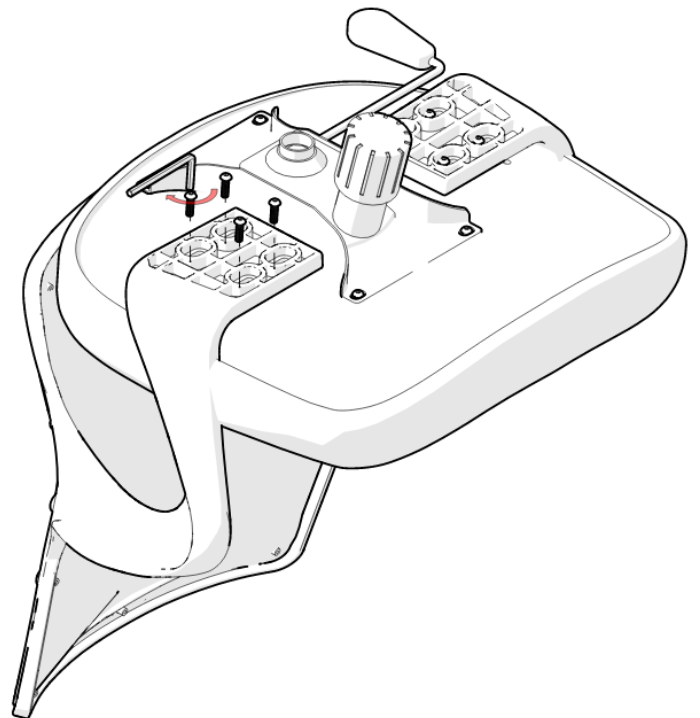
Match the sticker before fitting

Make sure direction of arrow on
mechanism is toward the seat front.

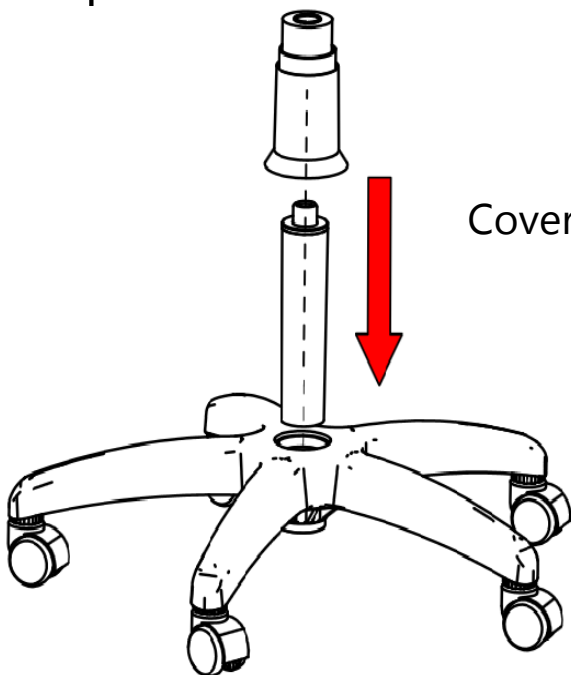
Step 2

Place seat as shown in image
than fit Chair Back.

Match the sticker before fitting



Step 3



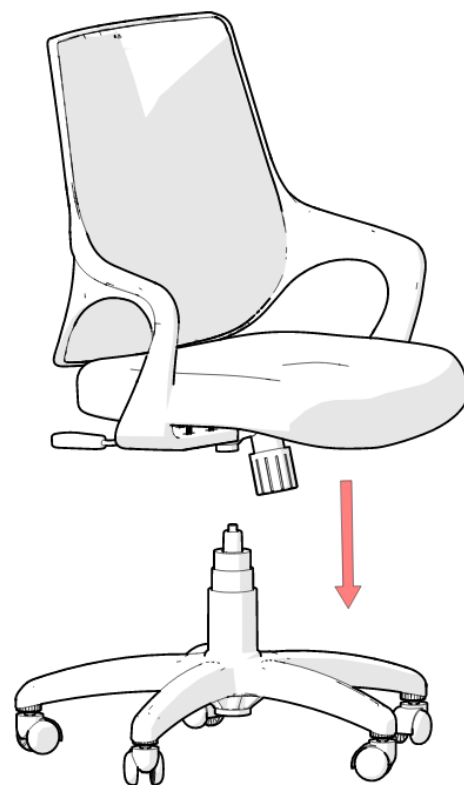
Place the chair base on floor

Cover the gas lift with the gas lift cover and fix it to the chair base

Step 4

Attach the seat and back assembly of chair to the base assembly

(Note: Check the chair to ensure proper fixing)





Scan the QR Code for watching
chair assembly instruction video



Furniture & more

ASSEMBLY MANUAL



Contact us: +91-9904304466
10:00 AM to 5:30 PM (Monday-Friday)

shop.hofindia.com

Model: F-504