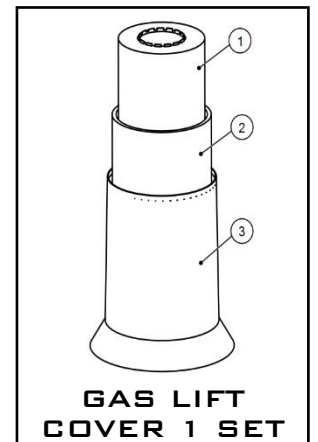
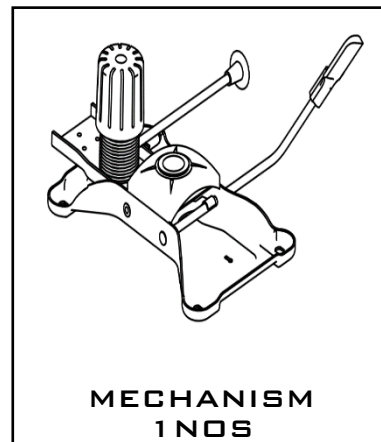
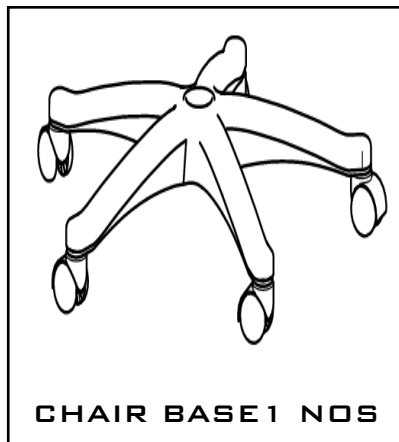
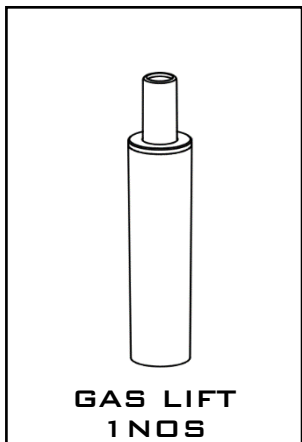
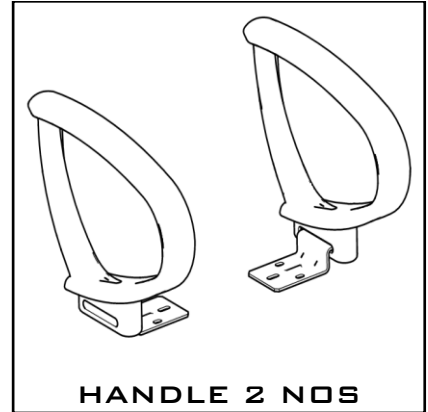
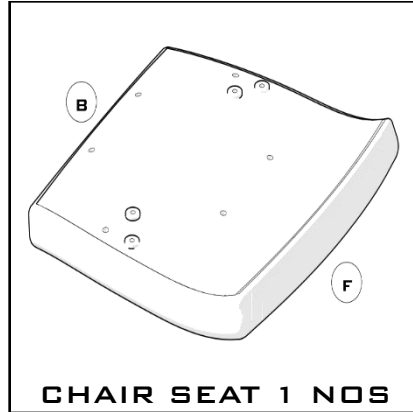
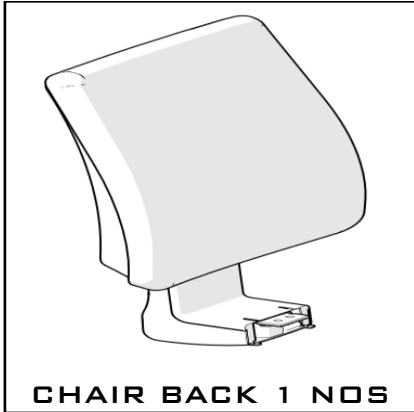


Please take time to read and follow the instruction below.

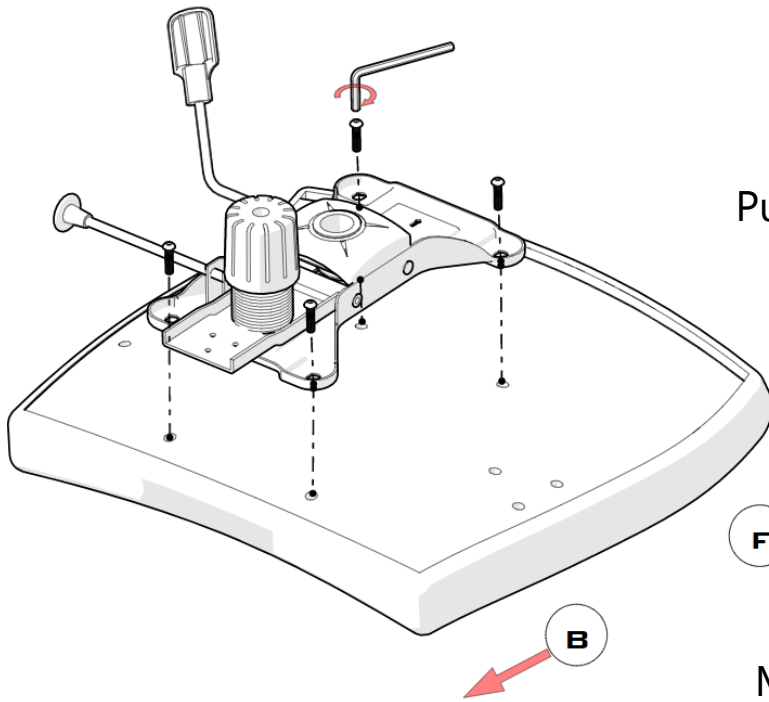


## Attention:

### **Hardware are already fitted into component**

- Find the Allen key in the bag of Assembly manual.
- Parts apparently missing are often found in the packaging material.
- Use sticker as a reference for easy assembly.
- Do not tighten screw fully until you have completed assembly.
- Do not use this product unless all bolts are firmly secured.
- Check that all bolts and screws are securely tightened at least every 4 months.

## Step 1



Place seat as shown in image

Put mechanism on Seat as Shown in image than fit it.

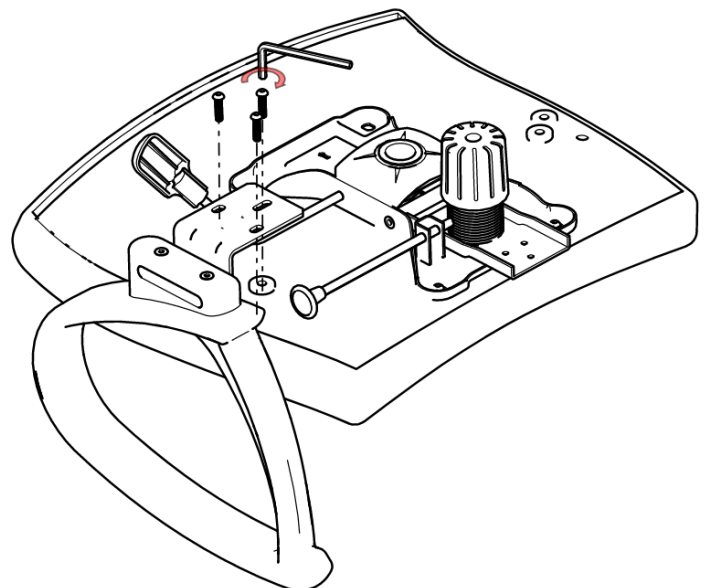
Match the sticker before fitting

Make sure direction of arrow on mechanism is toward the seat front.

## Step 2

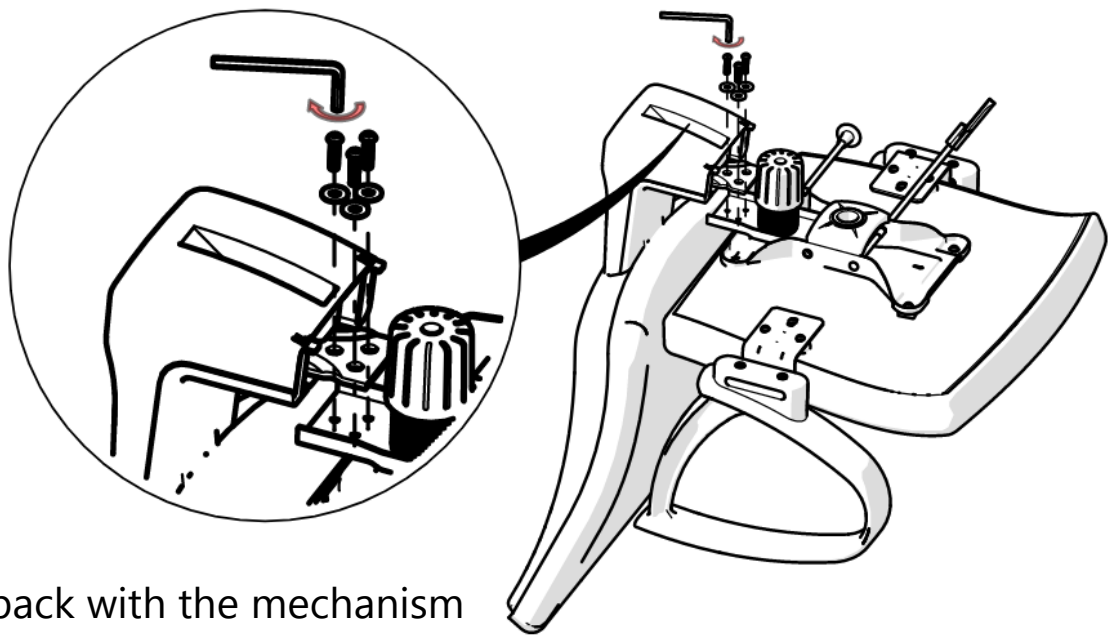
Place seat as shown in image than fit Handle

Match the sticker before fitting



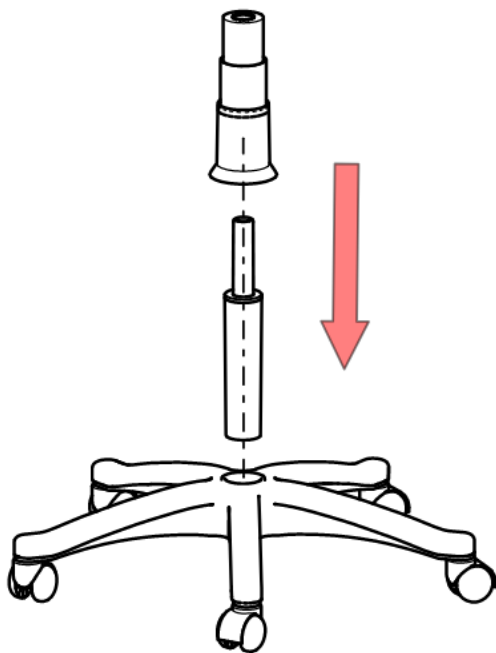
Repeat Step 2 for fitting other side of handle

### Step 3



Fix the chair back with the mechanism as shown in image

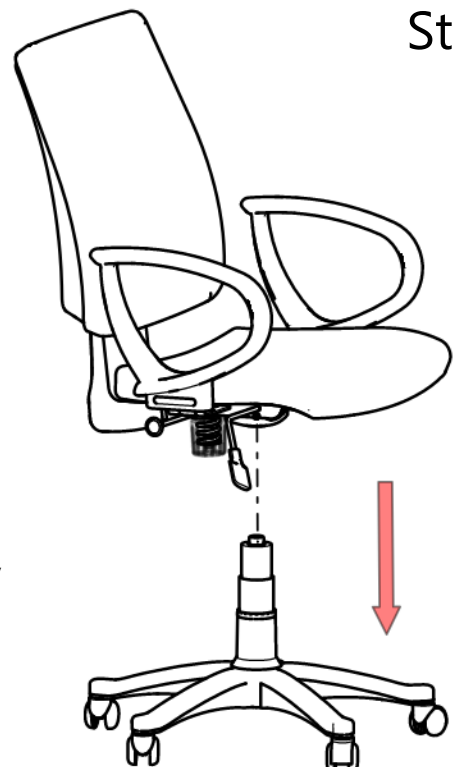
### Step 4



Place the chair base on floor

Cover the gas lift with the gas lift cover and fix it to the chair base

### Step 5



Attach the seat and back assembly of chair to the base assembly  
(Note: Check the chair to ensure proper fixing)



Scan the QR Code for watching  
chair assembly instruction video



# ASSEMBLY MANUAL



Contact us: +91-9904304466  
10:00 AM to 5:30 PM (Monday-Friday)

[shop.hofindia.com](http://shop.hofindia.com)

**Model: F-503**